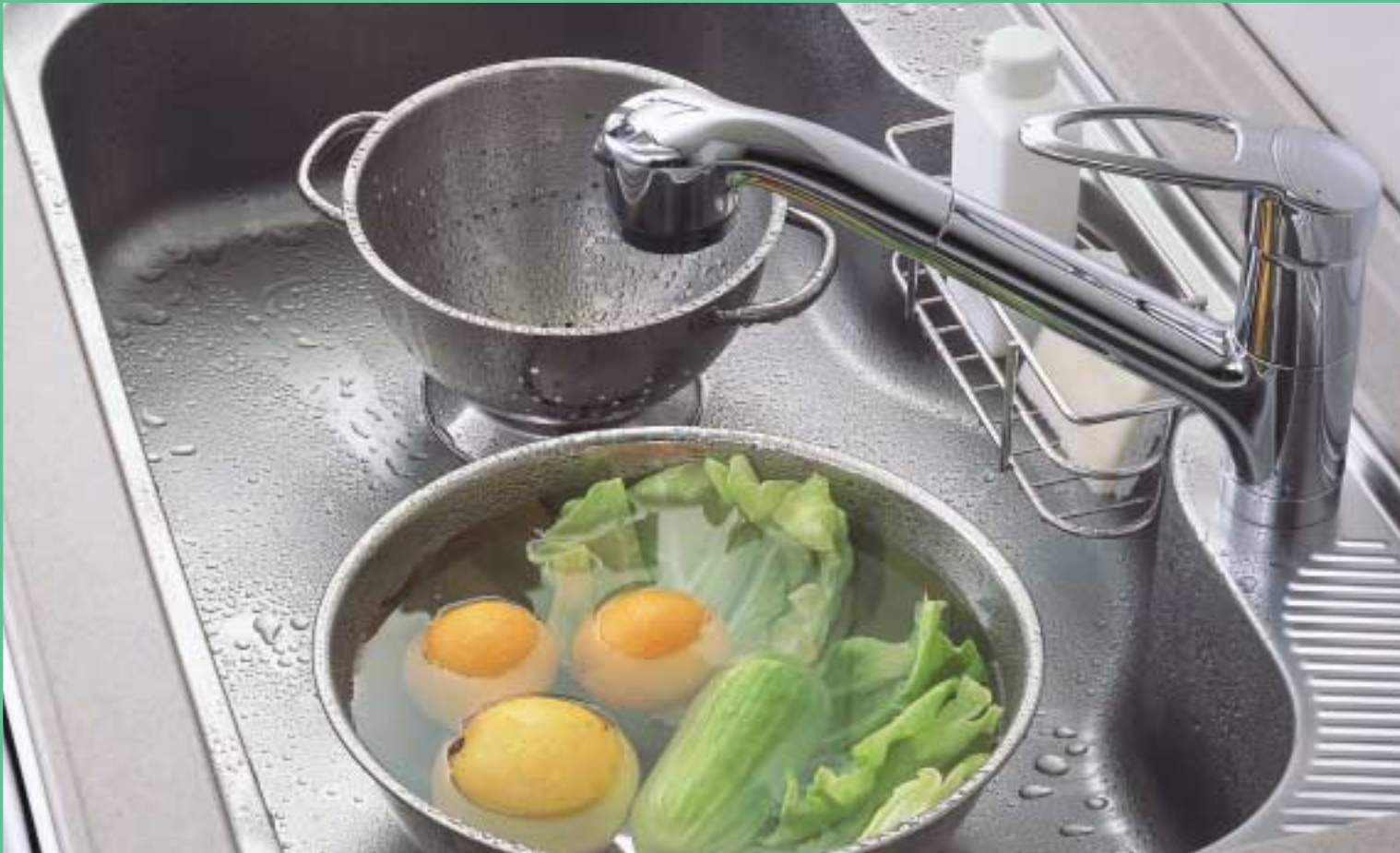


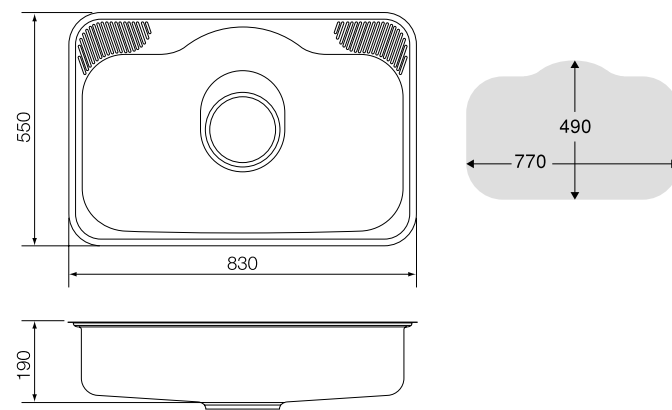
Stainless Steel Sink with good design and functionality.
良好的设计和功能性水槽



Specific Large Capacity 形状特别·容量极大

Z Sink Z水槽

The notch at the back of the sink ensures sufficient depth for washing larger pots and dishes.
水槽中央有向纵深弯曲的空间，盥洗方便。



Convenient Accessories 得心应手的小附件

For Z Sink Z水槽用

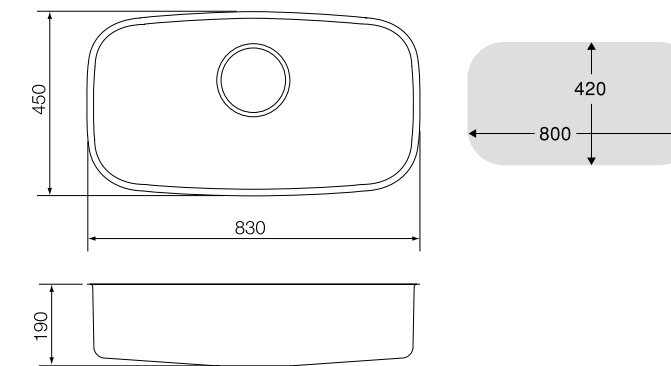


Cleanser rack 碱水筐
Drainage board 控水板
Chopping board 切菜板
Water stopper 挡水块

Standard Design / Easy to use, maintenance 标准设计 / 使用方便易保养

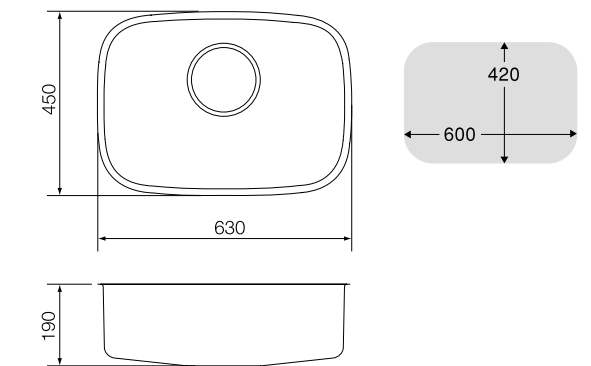
Y Sink Y型水槽

80 cm wide size. Suitable for large family.
有八〇厘米宽，适应大家族。



S Sink S型水槽

Compact size for small kitchen.
小型水槽，适用小型厨房。



Convenient Accessories 得心应手的小附件

For Y, S Sink Y、S型水槽用



Drainage net N 控水网N
Drainage net S 控水网S
Water stopper 挡水块

Ingenious device in details 细微部分设法

Drainage basket (All Sink) 控水篮

Shallow type basket for daily use with easy cleaning and maintenance.
容易洗和保养的浅型篮



Drainage Plate (Z Sink) 控水盖子

Flat form design stabilizes dishes and pans in the sink and does not stop water flow.
平坦的盖子设法

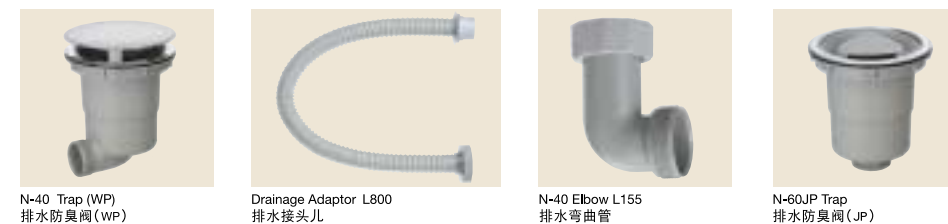


Drainage Plate (Y, S Sink) 控水盖子

Ingenious form does not allow small dishes falling into the basket.
平坦的盖子设法



Attachments 水槽附件



N-40 Trap (WP) 排水防臭阀 (WP)
Drainage Adaptor L800 排水接头儿
N-40 Elbow L155 排水弯曲管
N-60JP Trap 排水防臭阀 (JP)